

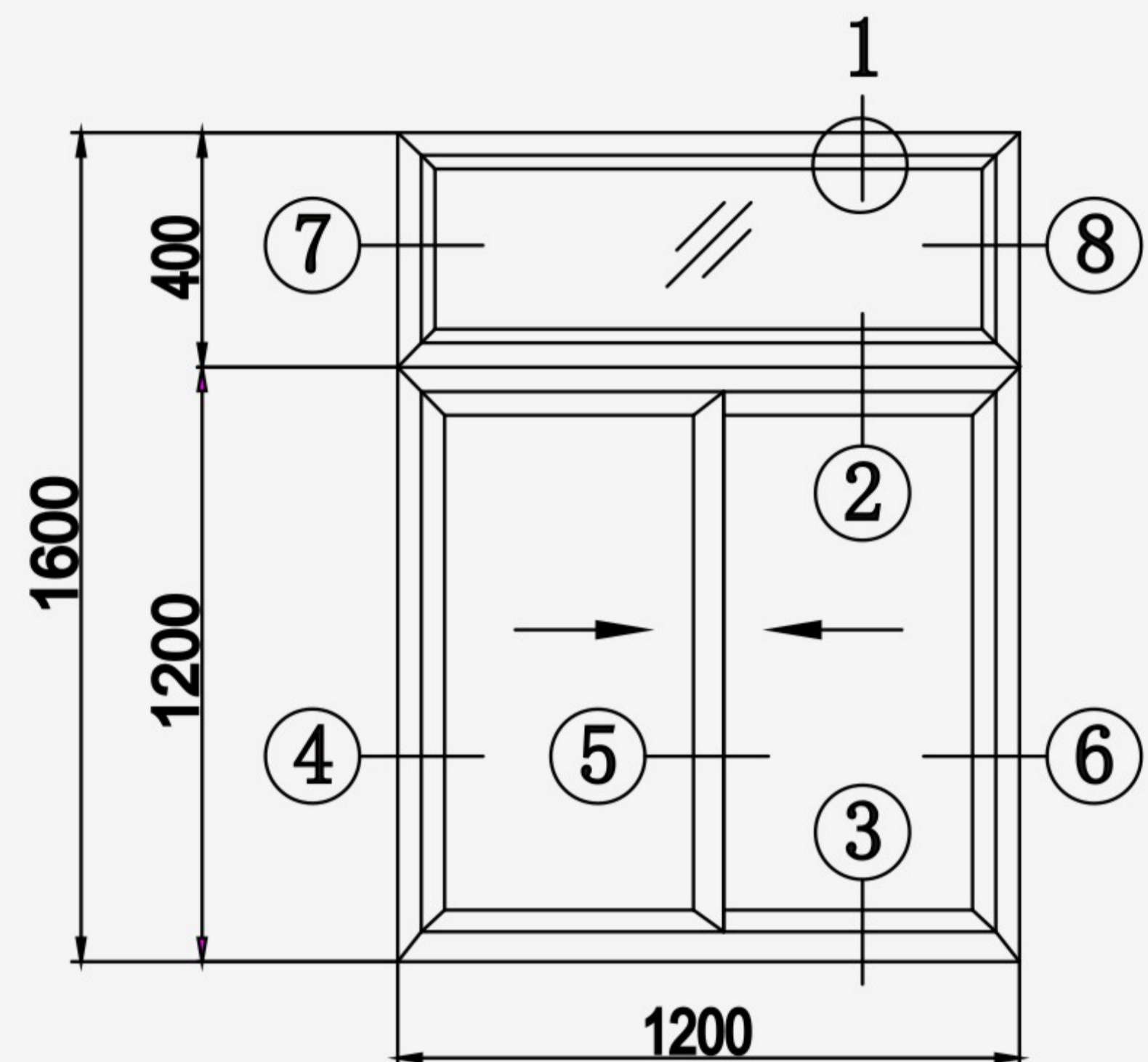


GUANG YA

GR70 Series Aluminum Insulated Sliding Window

GR70 Series Aluminum Insulated Sliding Window With Strip And Screen

Profile type: GR70 Series insulated sliding window
 Profile type: Heat-insulation aluminum profiles
 Frame width: 66mm
 Glazing option: 25~30mm
 Opening style: Sliding opened
 Profile thickness: 1.5mm
 Consumption of aluminum profile: 12.925kg/m²



Product performance (in accordance with GB/T 8478 - 2008)

1. Wind loading resistance: Grade 7 - $4000 \leq P_3 < 4500 P_a$
2. Air tightness: Grade 5 - $2.0 \geq q_1 > 1.5 m^3 / (m \cdot h)$
3. Water proof: Grade 3 - $250 \leq \Delta p < 350 P_a$

Product features:

1. Firm connection of jambs/stiles with angles at 45° angle.
2. Green, energy-saving and featured with outstanding heat-insulated, heat-preserved and noise-prevented, when this plastic stripping insulating profiles are glazed with glass.
3. Screens can be installed inwards, keeping mosquitoes or insect out as long as ventilation is ensured.
4. With simple structure and pleasant appearance design, they are suitable for high-end real estate property.

Accessories provided by Guangya:

| Item | Price * |
|---------------------|----------------|
| Bar Lock | ¥ 15- ¥ 25/ pc |
| Pulley | ¥ 15- ¥ 20/ pc |
| Group Angle | ¥ 4- ¥ 5/ pc |
| Plastic Accessories | ¥ 20/ pc |

| Item | Price * |
|------------------|------------------|
| Sealant | ¥ 2- ¥ 5/ meter |
| Weather Strip | ¥ 0.2- ¥ 0.5/ pc |
| Silicone Sealant | ¥ 10- ¥ 15/ pc |
| Nylon Article | ¥ 4/ meter |

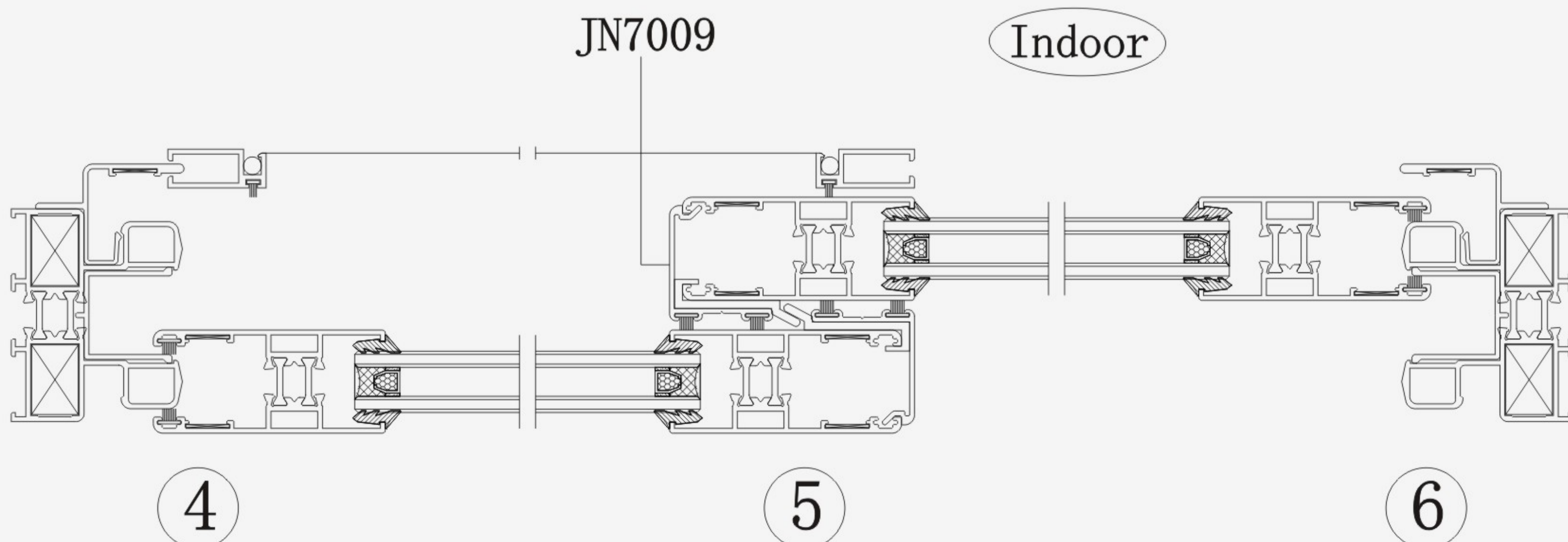
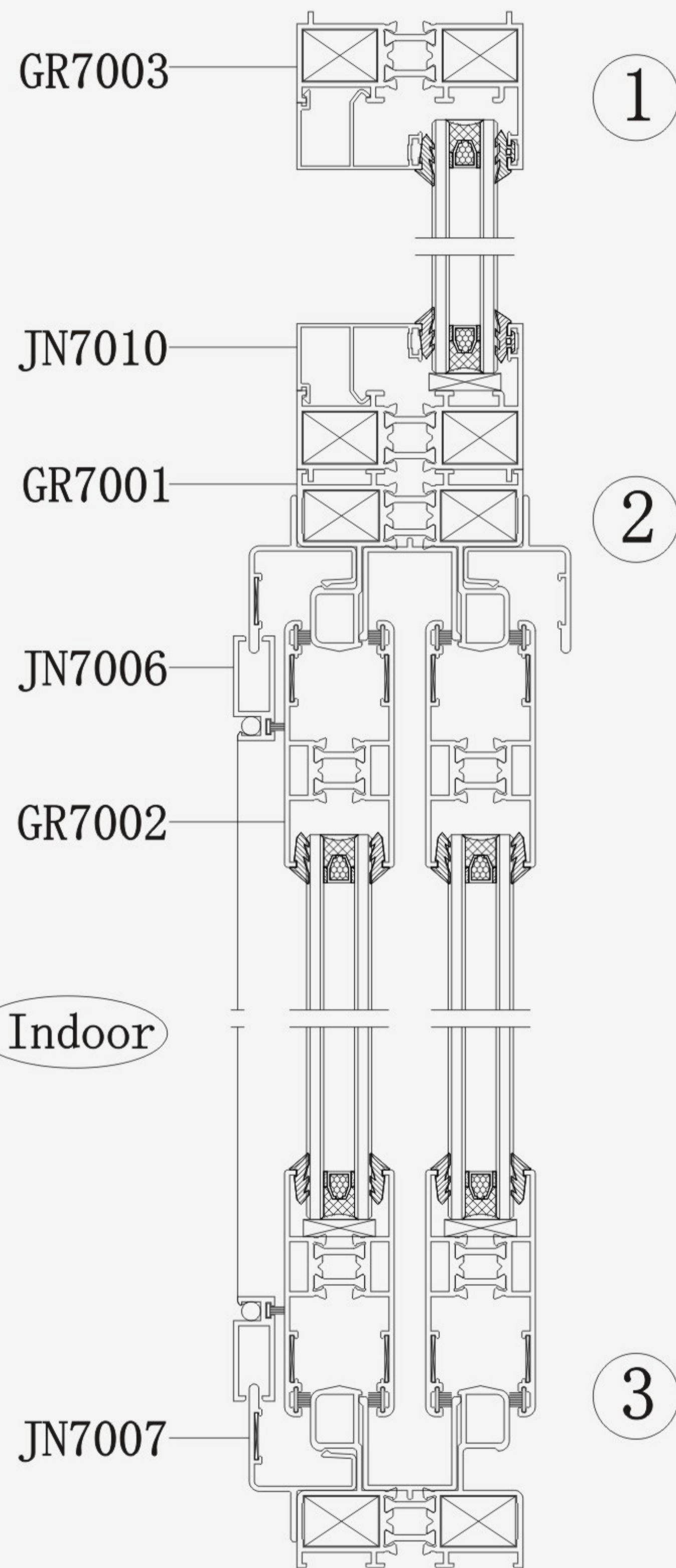
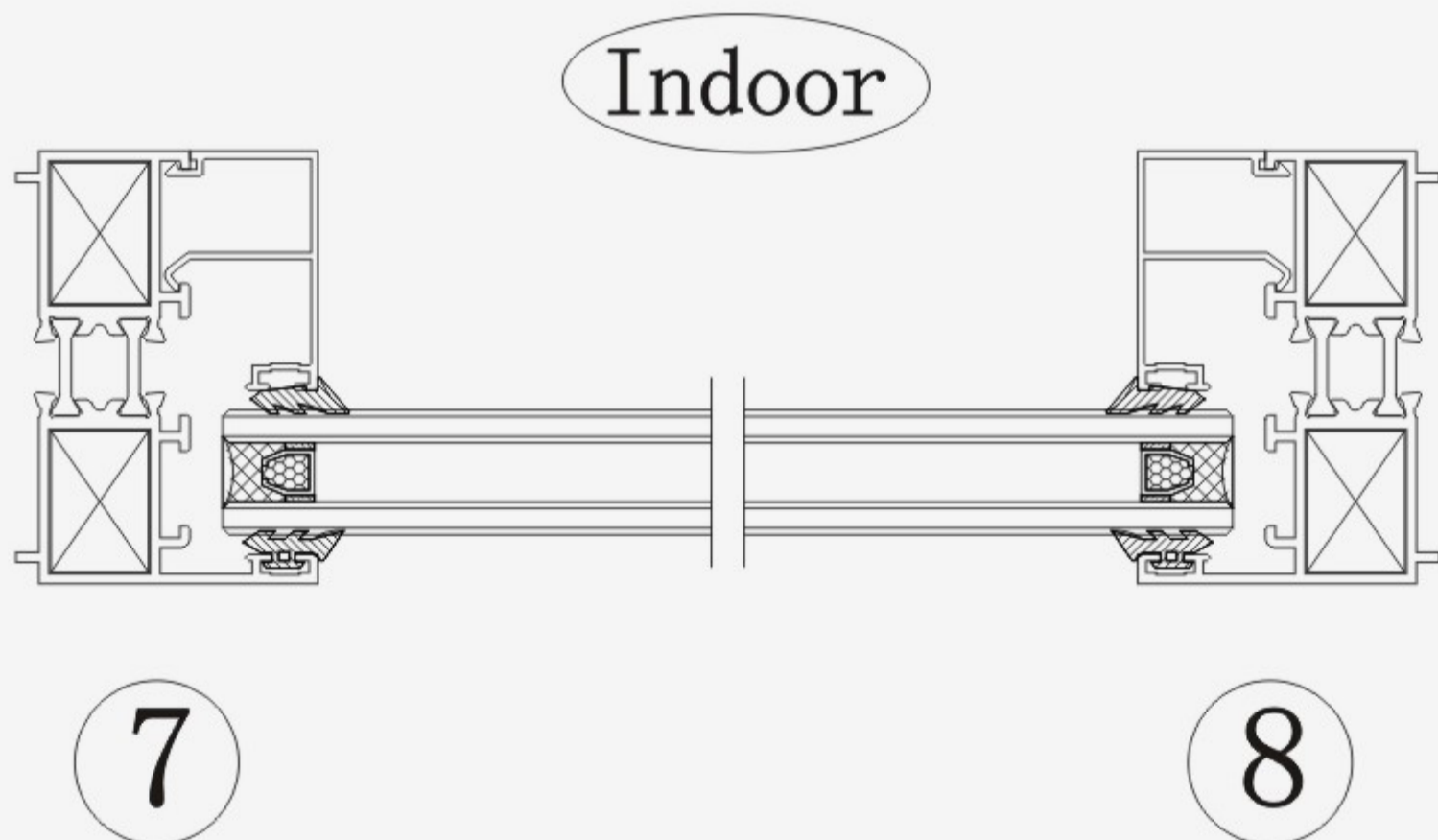
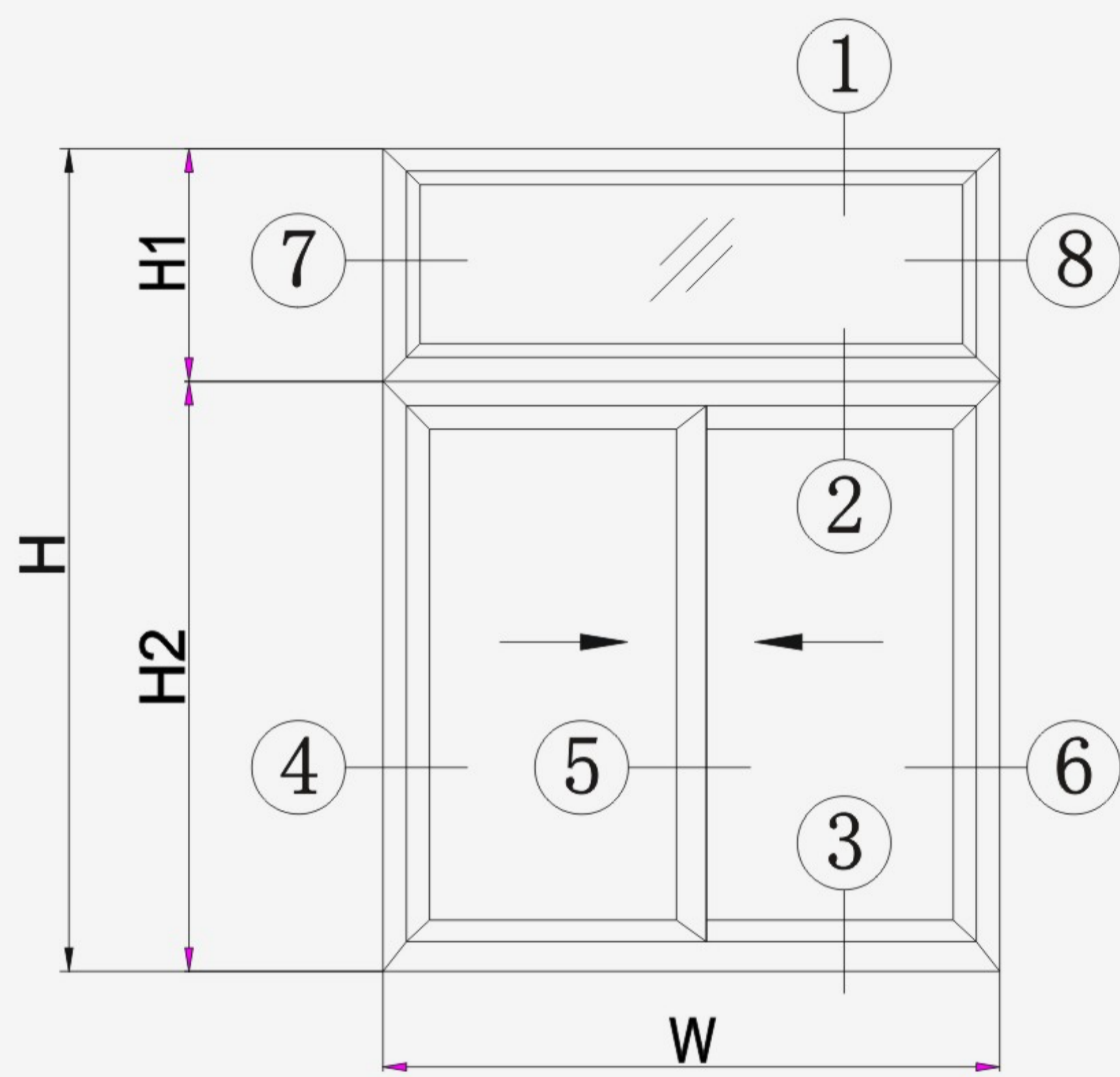
* For reference only, subject to further change.



GUANG YA

GR70 Series Aluminum Insulated Sliding Window

GR70 Series Aluminum Insulated Sliding Window With Strip And Screen





GUANG YA

GR70 Series Aluminum Insulated Sliding Window

| | | | | | |
|--|----------------|--|----------------|--|----------------------|
| Application | Sliding Frame | Application | Bead For Angle | Application | Fixed Frame |
| DWG No. | GR7001 | DWG No. | JN7010 | DWG No. | GR7003 |
| Thickness | $\delta = 1.5$ | Thickness | $\delta = 1.0$ | Thickness | $\delta = 1.5$ |
| T.W. | 1.604kg/m | T.W. | 0.299kg/m | T.W. | 1.223kg/m |
| * Matcing Angle Is JN6402. | | * Assembled For GR7003, Glazed For 25mm. | | * Matcing Angle Is JNXSQ008. | |
| | | | | | |
| Application | Bead | Application | Sliding Sash | Application | Bead For Angle |
| DWG No. | JN7047 | DWG No. | GR7002 | DWG No. | JN70102 |
| Thickness | $\delta = 1.0$ | Thickness | $\delta = 1.5$ | Thickness | $\delta = 1.0$ |
| T.W. | 0.253kg/m | T.W. | 1.186kg/m | T.W. | 0.285kg/m |
| * Assembled For GR7003, Glazed For 25mm. | | | | * Assembled For GR7003, Glazed For 30mm. | |
| | | | | | |
| Application | Screens Rail | Application | Angle | Application | Buckle For Interlock |
| DWG No. | JN7007 | DWG No. | JN6402 | DWG No. | JN7009 |
| Thickness | $\delta = 1.5$ | Thickness | ----- | Thickness | $\delta = 1.5$ |
| T.W. | 0.402kg/m | T.W. | 2.988kg/m | T.W. | 0.344kg/m |
| | | | | | |



GUANG YA

GR70 Series Aluminum Insulated Sliding Window

| Application | Angle | Application | Screens | Application | Angle |
|-------------|----------------|-------------|----------------|-------------|-----------|
| DWG No. | JNXSQ008 | DWG No. | JN7006 | DWG No. | YL-B9005 |
| Thickness | $\delta = 3.0$ | Thickness | $\delta = 1.5$ | Thickness | ----- |
| T.W. | 2.386kg/m | T.W. | 0.324kg/m | T.W. | 2.224kg/m |
| | | | | | |